

- Robust design for arduous in-cab applications
- Return-to-center
- Optional mechanical over-press feature at either ends of travel
- Low under-panel depth of 21mm
- Hall-effect sensor technology
- Rated for 1 million cycles of life
- Dual-redundant electronic architecture
- Outputs with sense and voltage span options
- Dual supply to ensure a high level of signal integrity
- Designed to allow contamination (liquid or dust) to pass through the mechanism without causing any damage
- Electronics sealed to IP67



The JC040 is a proportional rocker for use in joystick grips and other in-cab human-machine interfaces. Two robust, return-to-center operating options are available: a $\pm 25^\circ$ movement from center; or a $\pm 20^\circ$ movement with an over-press feature, which can be included in both directions of movement or just one, used to indicate a different mode of machine operation. In all versions, a compact mechanical design means the required under-panel space is just 21mm.

The rocker utilizes non-contacting, Hall-effect sensing technology that eliminates contact wear and provides for long-life integrity of the output signal, giving rise to a minimum operating life of 1 million cycles.

Safety is enhanced via a fully dual-redundant electronic architecture made up of two power supplies and two sensing circuits, the outputs of which can be set to positive or negative ramps or a combination of both. Electronic robustness is assured with the enclosure sealing rated to IP67.





CONTENTS

Contents 2

Configuration & Ordering Codes 3

 Output sense 3

 Detent..... 5

 Cable length 5

Installation 6

 Mechanical 6

 Dimensions 6

 Panel cut-out/Mounting Details..... 7

 Panel Mounting Details - standard 8

 Electrical Connections 8

Specifications..... 9

 Electrical..... 9

 Mechanical 9

 Environmental & legislative..... 10

© 2017 Curtiss-Wright. All rights reserved.

Curtiss-Wright accepts no responsibility for possible errors in catalogs, brochures and other printed material. Curtiss-Wright reserves the right to alter its products without prior notice. This also applies to products already ordered provided that such alterations can be made without affecting agreed specifications. All trademarks in this material are properties of their respective owners.



CONFIGURATION & ORDERING CODES

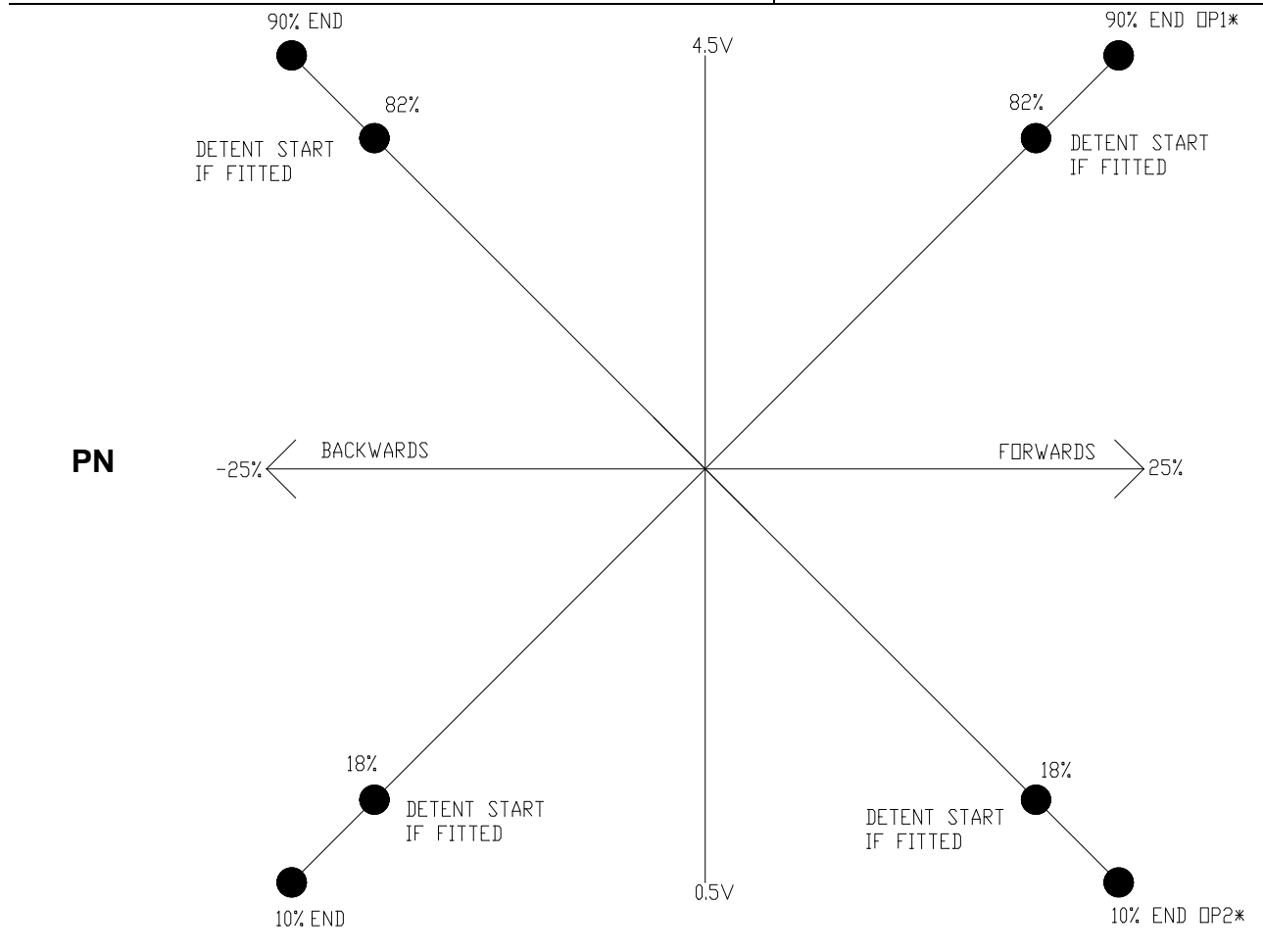
JC040-GEN-XX-XX-400

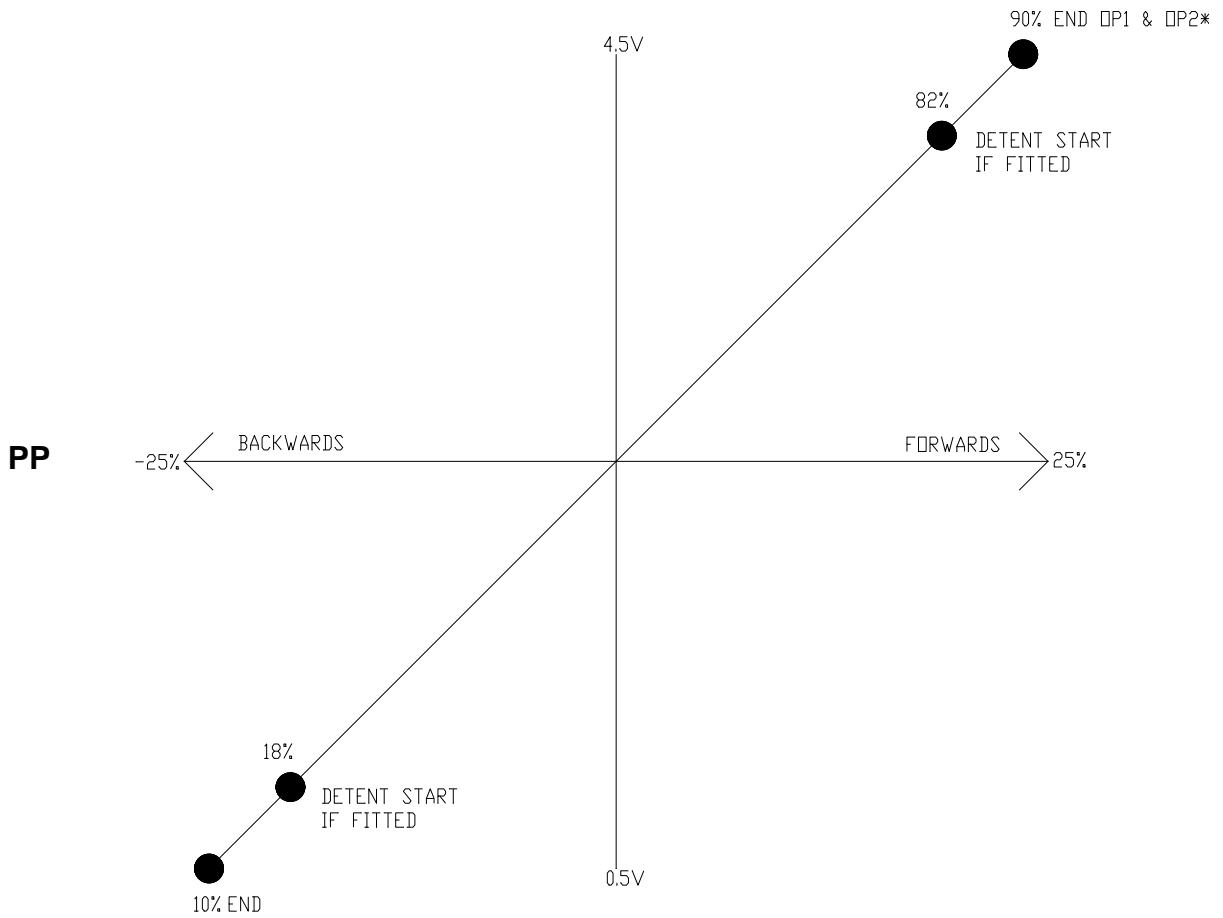
Type	Output Sense	Detent		Cable Length (mm)
JC040-GEN	XX	XX		XXX
	PN	00	No Detent	400
	PP	1F	Forward Position	
		1B	Backward Position	
		2D	Both Fitted	

OUTPUT SENSE

JC040-GEN-XX-XX-400

Code	Description
PN	Output 1: Positive slope Output 2: Negative slope
PP	Output 1: Positive slope Output 2: Positive slope





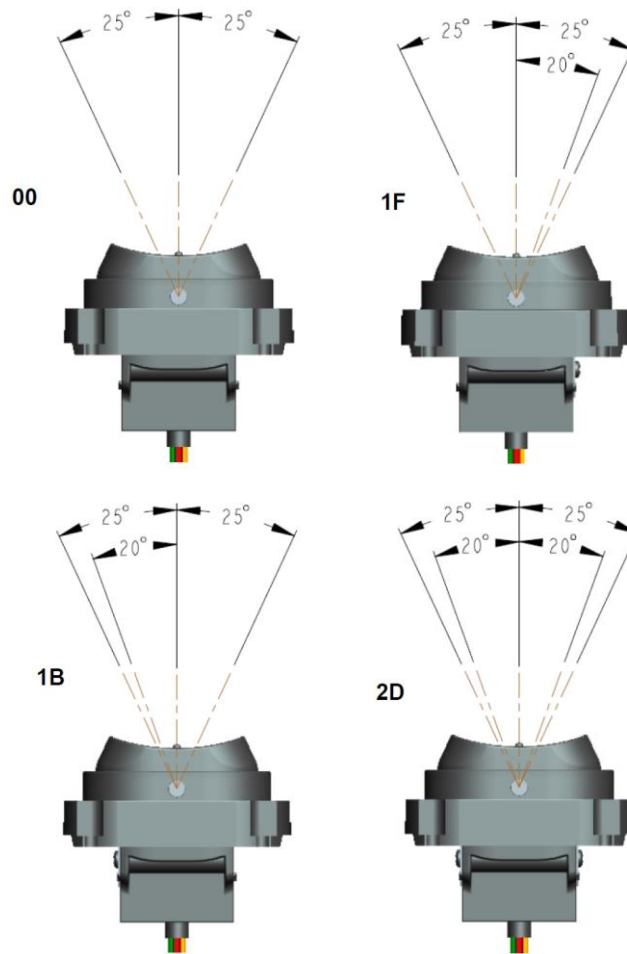
* 10-90% of 5V supply

DETENT

JC040-GEN-XX-~~XX~~-400

Code	Description
00	No Detent
1F	1 Forward position detent
1B	1 Backward position detent
2D	Both detents fitted

The detents provide a snap feel at $\pm 20^\circ$ (18% and 82% output voltage) that can be used in a control system to generate a specific response e.g. return to dig, rapid travel etc.



CABLE LENGTH

JC040-GEN-XX-XX-400

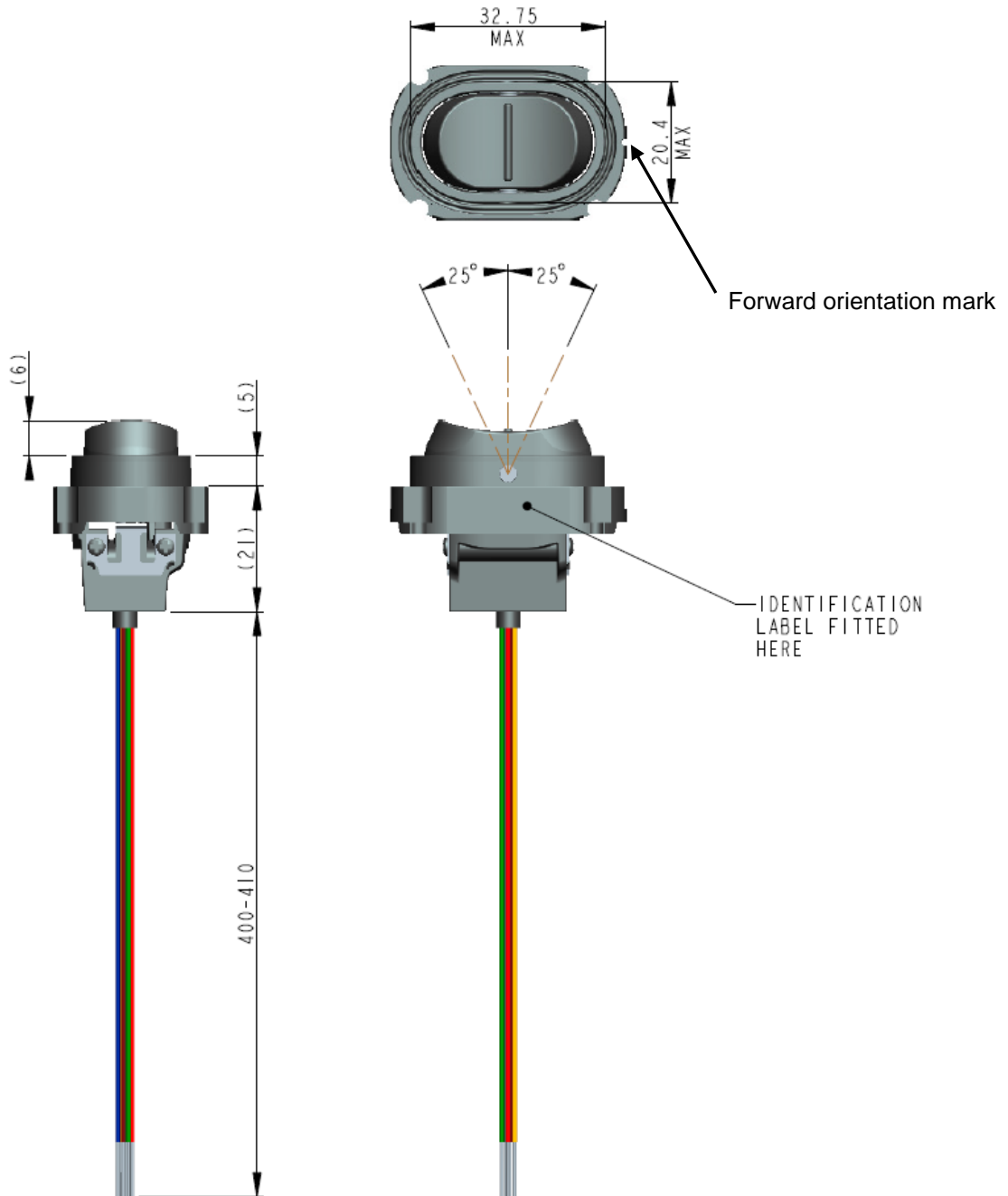
Code	Cable Length in mm
400	400



INSTALLATION

MECHANICAL

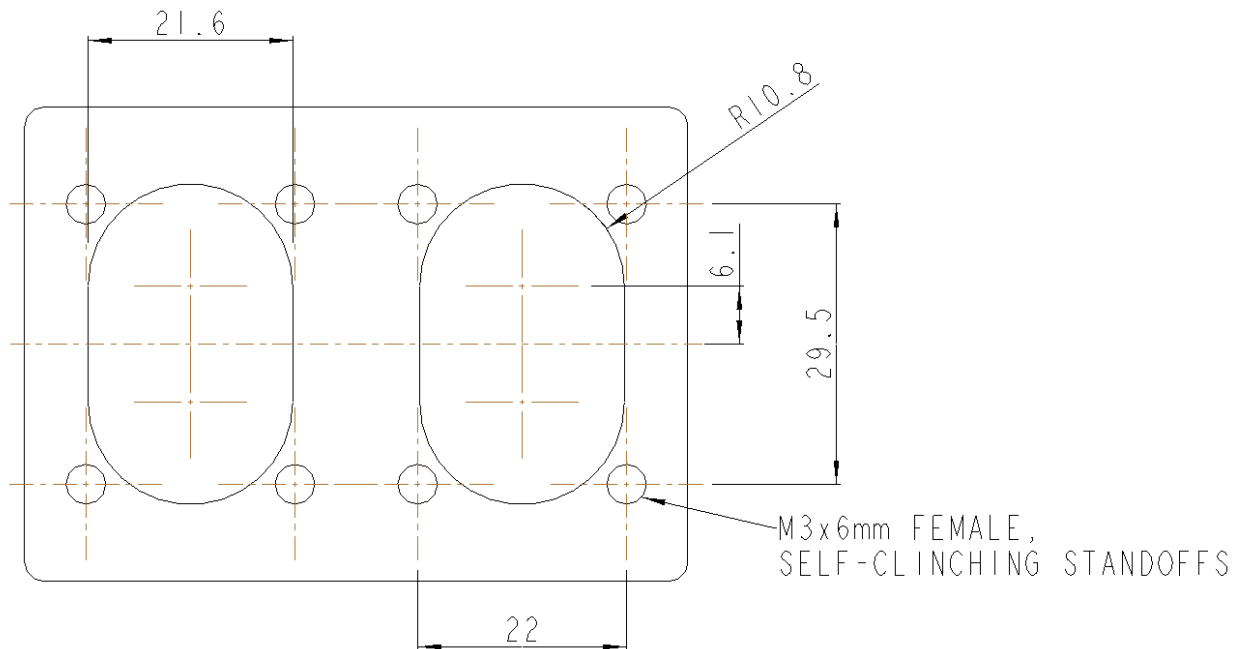
Dimensions





Panel cut-out/Mounting Details

The following details show the hole that should be cut in the mounting panel

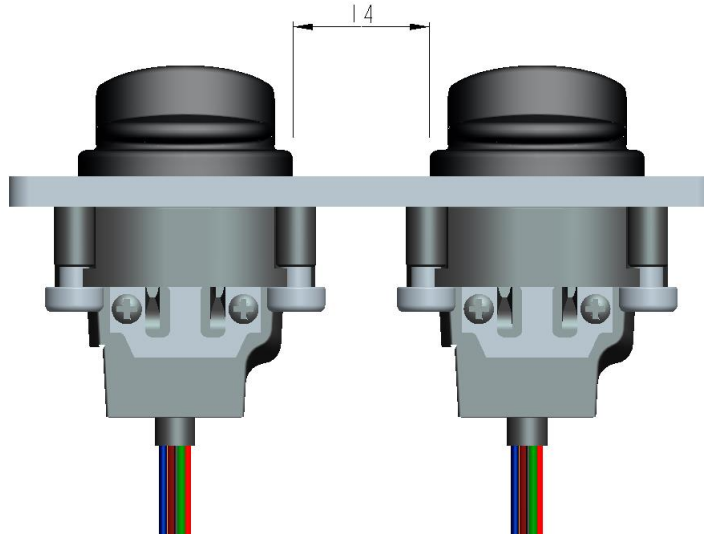


Curtiss Wright recommend that the JC040 rocker is mounted using a minimum of two M3 x 6mm female, self-clinching standoffs (e.g. PEM ref. CSS M3-6) fitted to the back of the panel at diametrically opposite positions. The standoffs are used in conjunction with two M3 x 6mm washer head screws. The screws should be tightened to a torque of 0.4Nm to 0.7Nm with a minimum panel thickness of 3 mm.



Panel Mounting Details - standard

There is a minimal spacing between two JC040 rockers to ensure there isn't any influence on one rockers output from the other rockers magnet. In a standard mounting configuration the gap is:



ELECTRICAL CONNECTIONS

The JC040 is supplied with 6 wires with the colours and functions below

The wires are size 30 AWG (19/0.06), PTFE insulated and unscreened with a maximum outside diameter of 0.65mm

Wire Color	Function
Red	+5V to Output 1 Sensor
Blue	+5V to Output 2 Sensor
Brown	0V Output 1 Sensor
Black	0V Output 2 Sensor
Green	Output 1 Signal
Orange	Output 2 Signal



SPECIFICATIONS

ELECTRICAL

SUPPLY VOLTAGE	5Vdc \pm 0.5Vdc
OUTPUT VOLTAGE	10% to 90% of Supply Voltage
CENTER REFERENCE	48% to 52% of Supply Voltage
OVER-PRESS VOLTAGE (if fitted)	18% and 82% (\pm 2%)
TOLERANCE OF OUTPUT VOLTAGE AFTER LIFE (including temperature effects)	Reverse end of travel position: -3% to +2% Reverse detent position: -4% to +3% Centre position: -2.5% to +2% Forward detent position: -3% to +4% Forward end of travel position: -2% to +3%
OUTPUT SENSE	The dual outputs can be configured to have positive ramps or a combination of positive and negative ramps
CURRENT CONSUMPTION	< 19mA
NON-LINEARITY	< \pm 0.4%
TRACKING ERROR	\pm 2%
POWER ON SETTLEMENT TIME	Up to 15mS
OVER VOLTAGE PROTECTION	Up to 20V (-40° to +80°C)
SHORT CIRCUIT PROTECTION	Output to ground and output to supply
SUPPLY REVERSE POLARITY PROTECTION	-10Vdc (Continuous)
CONNECTION	6-way flying lead

MECHANICAL

BREAKOUT FORCE	3Nm
OPERATING FORCE AT END OF TRAVEL – WITHOUT OVER-PRESS	6.5Nm
OPERATING FORCE AT START OF OVER-PRESS	6Nm
OPERATING FORCE TO ENGAGE OVER-PRESS	17Nm
MECHANICAL ANGLE	\pm 25°
START OF OVER-PRESS	\pm 20°
MECHANICAL LIFE	1 million cycles 200,000 cycles with over-press feature
WEIGHT	20g maximum



ENVIRONMENTAL & LEGISLATIVE

OPERATING TEMPERATURE	-25°C to 80°C	
STORAGE TEMPERATURE	-40°C to 80°C	
ENVIRONMENTAL PROTECTION	The rocker has a design where contamination (liquid or dust) can pass through the mechanism without causing any damage and an IP67 protection of the electronics	
EMC IMMUNITY LEVEL	EN 61000-4-3: 2002	100V/m, 80MHz-1GHz and 1.4-2.7GHz
EMC EMISSIONS LEVEL	EN 61000-6-4: 2011	30MHz-1GHz
ESD IMMUNITY LEVEL	EN 61000-4-2, Level 2: 1995	4kV contact and air discharge
VIBRATION (SINUSOIDAL)	EN 60068-2-6: 2008	3gn, 10-200Hz, 1h per axis
VIBRATION (RANDOM)	EN 60068-2-64: 2008	3.6gn, 10-200Hz, 2h per axis
BUMP	EN 60068-2-27: 2008	25gn, 10ms, 500 bumps in each of 6 directions
FREE-FALL DROP	EN 60068-2-32: 1993	1.0m at level C, 1.2m at level E
SHOCK	EN 60068-2-27: 2008	50g, 6ms, half sine, 3 shocks in each of 6 directions
SALT SPRAY	EN 60068-2-11: 1999	
MTTFd	>700 years	

IMPORTANT INFORMATION

Whilst Curtiss-Wright Industrial Group - Penny & Giles has designed this joystick to meet a range of applications it is the responsibility of the customer to ensure it meets their specific requirement.

Penny & Giles Controls Ltd makes no warranty or representation in respect of product fitness or suitability for any particular design application, environment, or otherwise, except as may subsequently be agreed in contract for the sale and purchase of products. Customers should therefore satisfy themselves of the actual performance requirements and subsequently the product's suitability for any particular design application and the environment in which the product is to be used.

Continual research and development may require change to products and specification without prior notification.
All trademarks acknowledged.